

Unleash the Power of Simple Machines with "Let's Read and Find Out Science"



Simple Machines (Let's-Read-and-Find-Out Science 2)

by D. J. Ward

★★★★☆ 4.7 out of 5

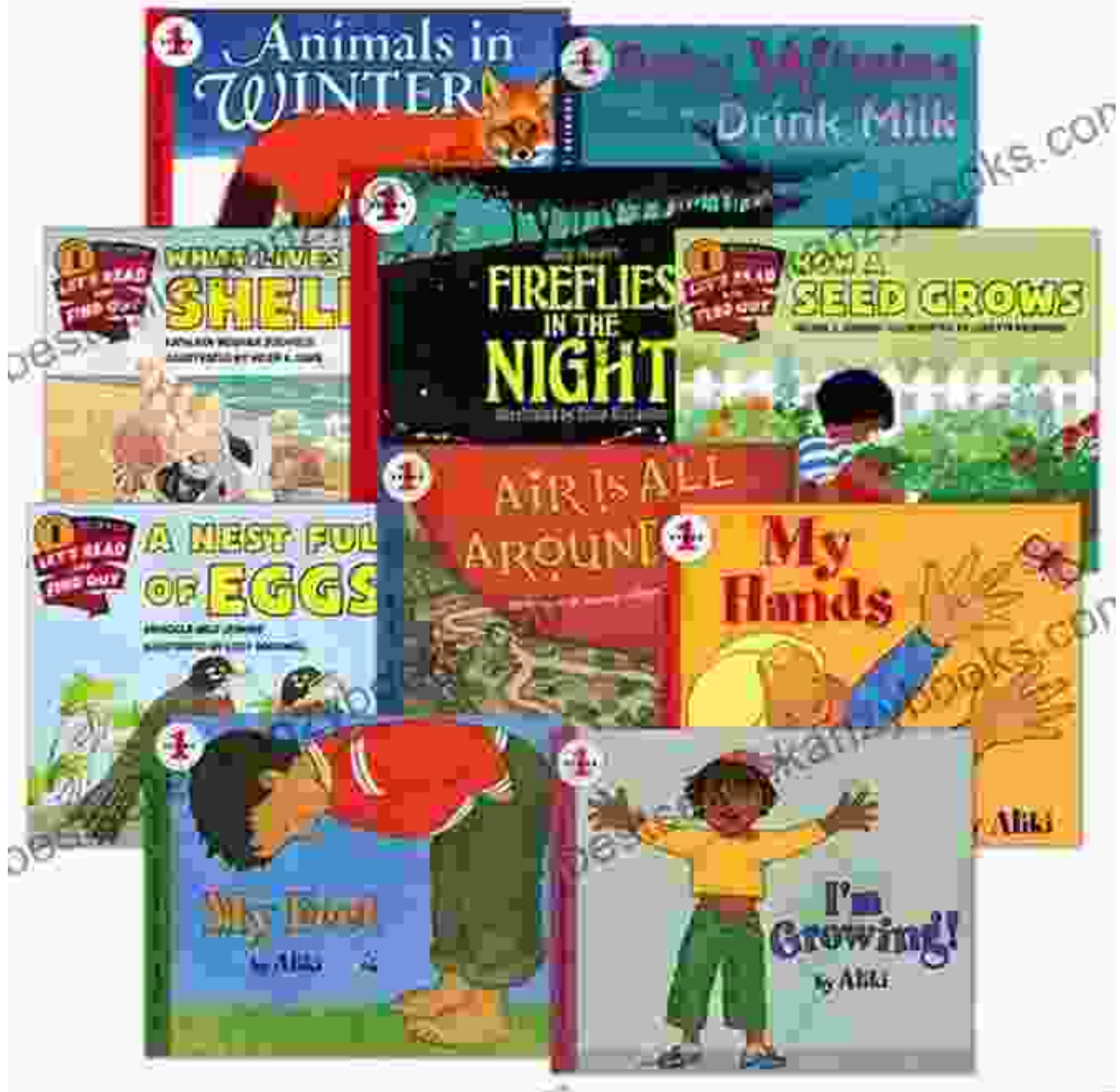
Language : English

File size : 4999 KB

Screen Reader : Supported

Print length : 40 pages



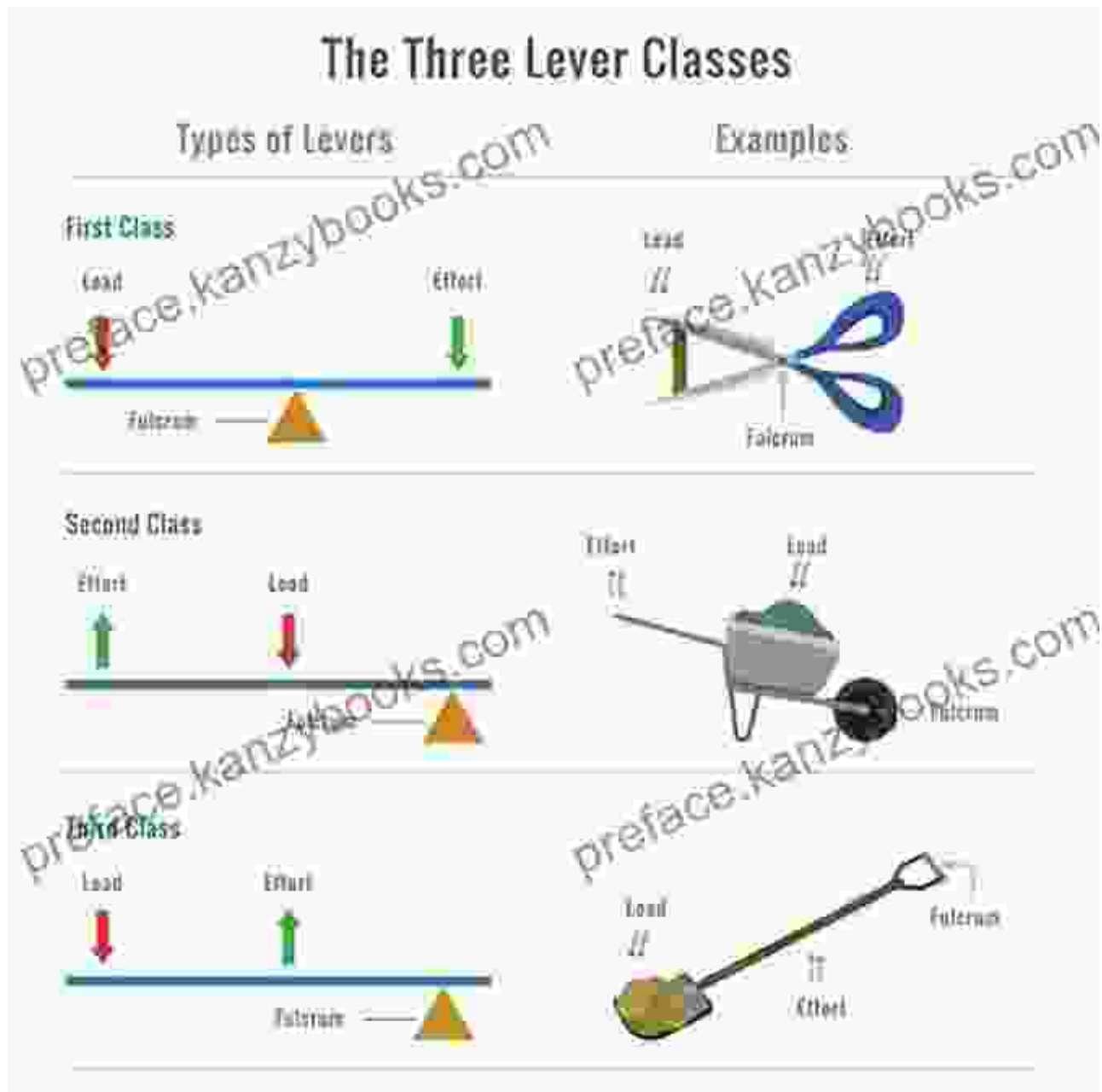


Explore the Wonders of Everyday Mechanisms

Step into the fascinating world of simple machines with "Let's Read and Find Out Science: Simple Machines." This captivating book introduces young readers to the fundamental concepts of levers, pulleys, wheels, and axles, revealing how these everyday mechanisms make our lives easier.

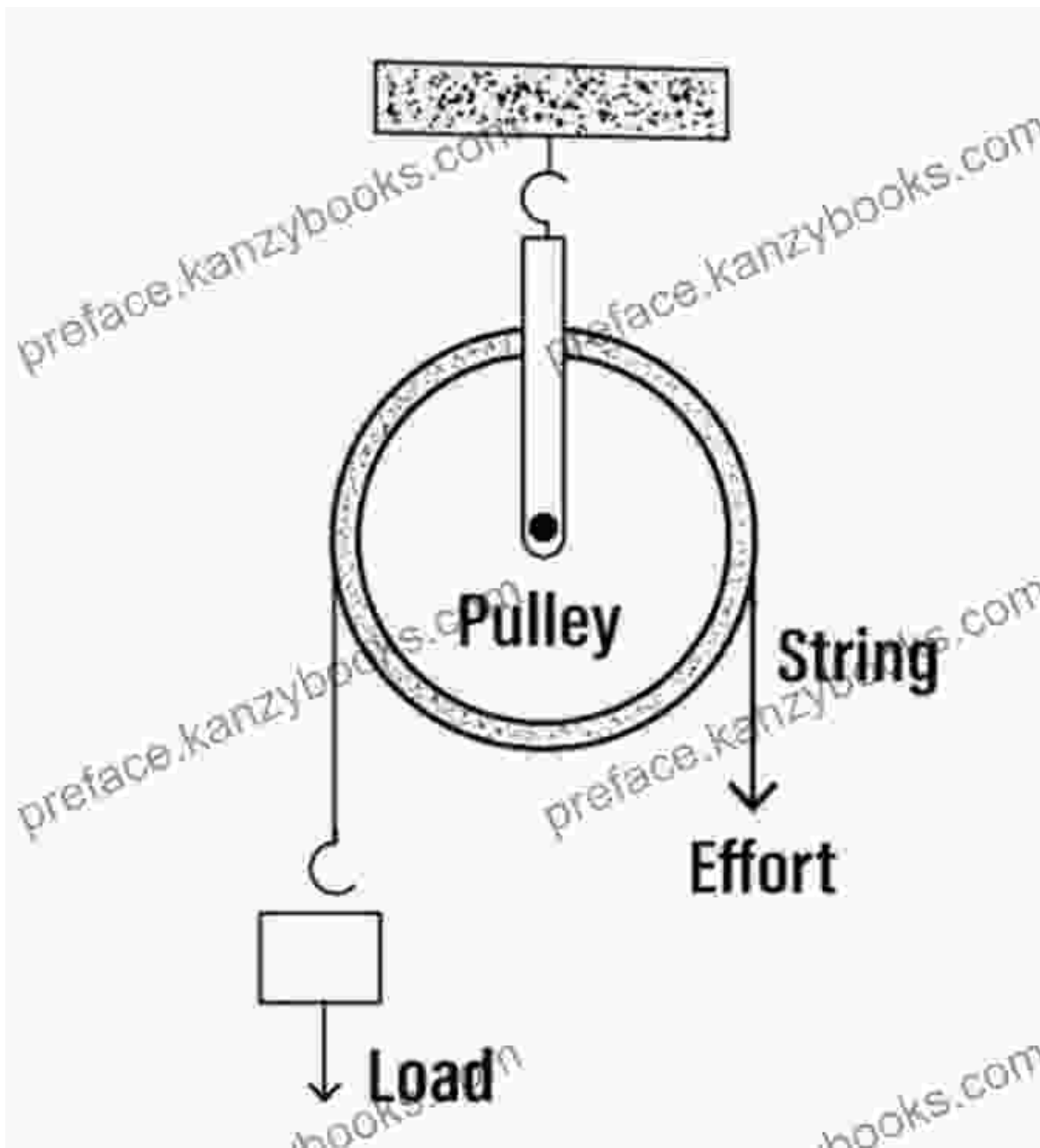
Uncover the Secrets of Levers

Discover how levers amplify force, making tasks like opening jars or lifting heavy objects effortless. Dive into the different types of levers, from the simple seesaw to the more complex crowbar, and explore their real-world applications.



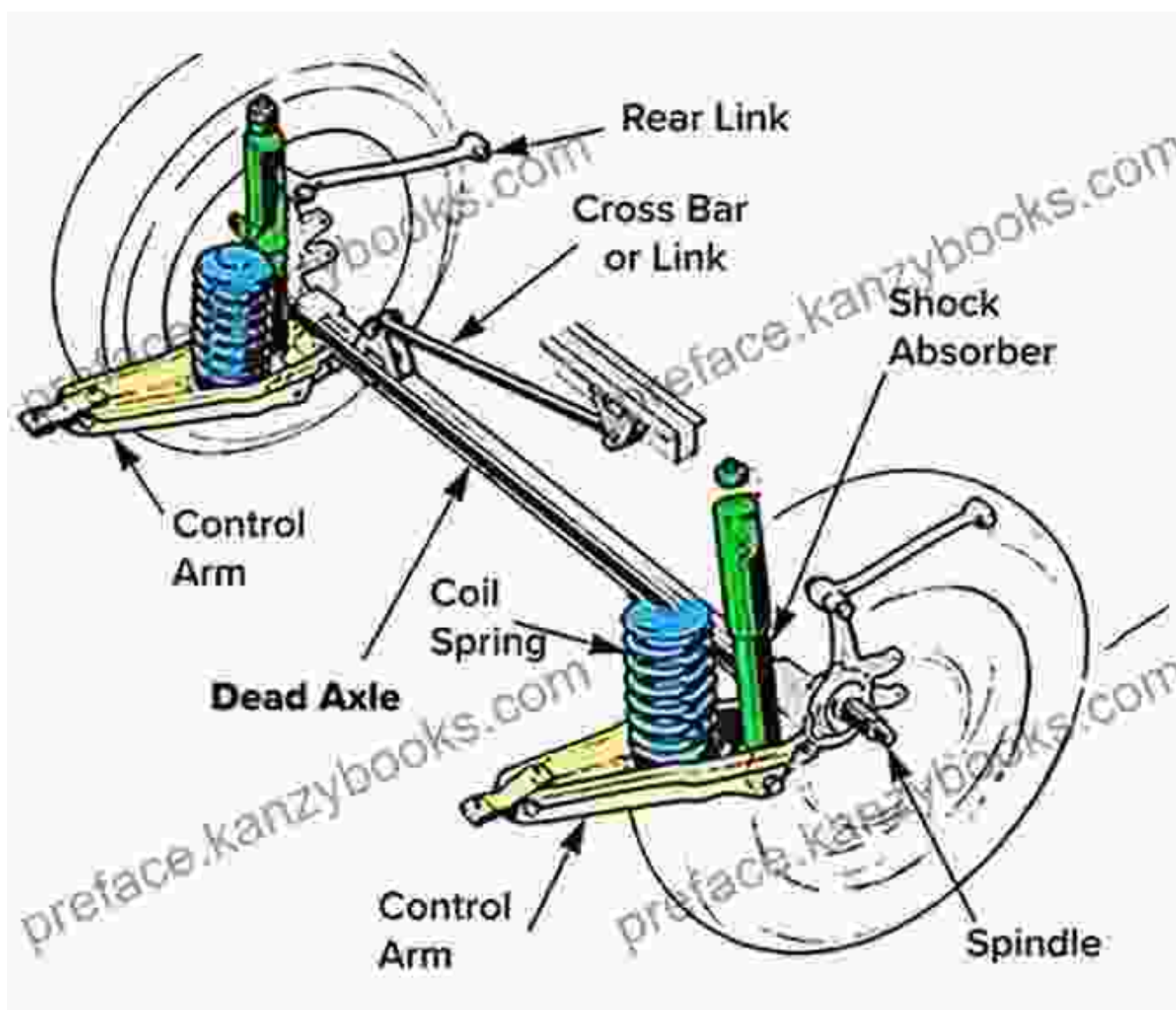
Unlock the Power of Pulleys

Unravel the mysteries of pulleys, ingenious devices that change the direction and magnitude of forces. Learn how pulleys help us lift heavy loads, hoist sails, and even climb trees. Delve into the different types of pulleys, including fixed, movable, and compound pulleys.



Roll with Wheels and Axles

Explore the world of wheels and axles, the ultimate force multipliers. Discover how these simple machines enable us to move heavy objects with minimal effort. Investigate different types of wheels, including gears, pulleys, and winches, and uncover their applications in transportation, construction, and beyond.



Engage Young Minds with Interactive Features

"Let's Read and Find Out Science: Simple Machines" not only educates but also captivates young minds. Featuring engaging illustrations, hands-on

experiments, and thought-provoking questions, this book encourages children to explore the world of simple machines through interactive learning.

Inspire Future Engineers and Scientists

By introducing children to the wonders of simple machines, this book ignites their curiosity and plants the seeds for future engineers and scientists. It fosters an understanding of the fundamental principles of mechanics, laying the foundation for future exploration and innovation.

Free Download Your Copy Today

Unlock the secrets of simple machines and embark on a captivating learning adventure with "Let's Read and Find Out Science: Simple Machines." Free Download your copy today and let the journey of discovery begin!

Free Download Now



Simple Machines (Let's-Read-and-Find-Out Science 2)

by D. J. Ward

★★★★☆ 4.7 out of 5

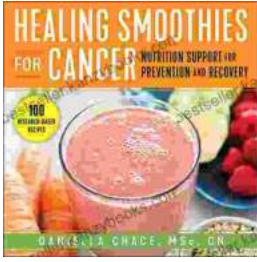
Language : English

File size : 4999 KB

Screen Reader: Supported

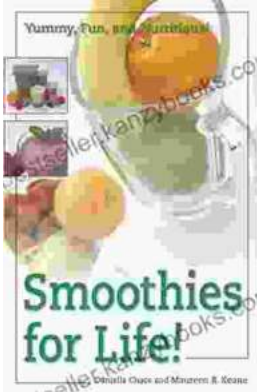
Print length : 40 pages





Healing Smoothies for Cancer: Unlock the Power of Nature to Nourish Your Body and Improve Your Journey

A cancer diagnosis can be life-changing, bringing with it a whirlwind of emotions and uncertainties. Amidst the challenges, finding ways to...



Embark on a Culinary Odyssey with Smoothies For Life: A Journey to Vibrant Health and Culinary Delight

Immerse yourself in the vibrant and flavorful world of smoothies with the indispensable guide, Smoothies For Life. This comprehensive culinary masterpiece is your passport to...